

Movement by Perfection



The Royal League in **ventilation**, control and drive technology



Product documentation

Type
FB025-2ED.WC.A5

Article number
139669

Article number
139669

The Royal League Die Königsklasse

Product documentation

Customer

ZIEHL-ABEGG Contact

Project

ZIEHL-ABEGG Subsidiary
Brazil
ZIEHL-ABEGG do Brazil Imp.,
Exp. e Com. de Equipamentos
de Ventilação Ltda.
Rua Osasco, 1.295
Centro Empresarial Anhanguera
Cajamar -SP - CEP 07753-040
BRAZIL
Phone + 55 11 2898-0827
www.ziehl-abegg.com.br
info@ziehl-abegg.com.br

Type
FB025-2ED.WC.A5

Article number
139669



Contents

| | | |
|----|--------------------------------------|-------------------------------|
| 1. | Rubriküberschrift1 (CB_AF_Headline1) | Erro! Indicador não definido. |
|----|--------------------------------------|-------------------------------|

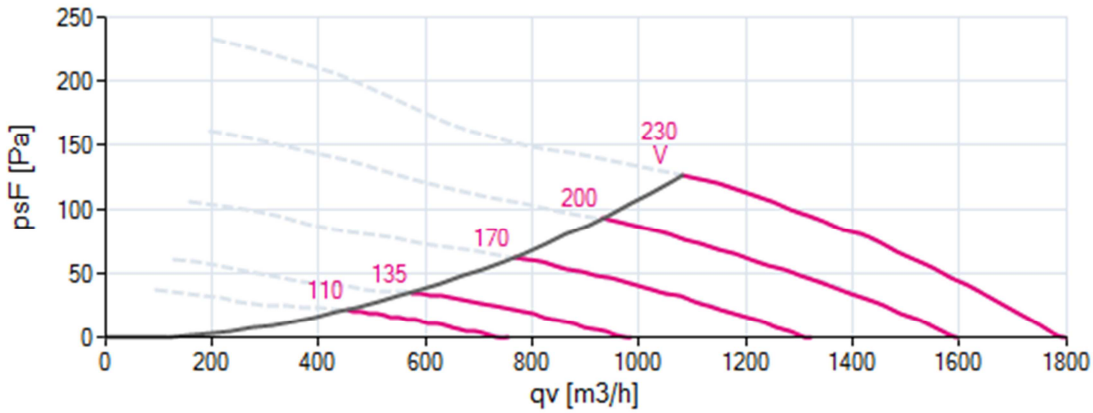
1. Product specification

Technical data

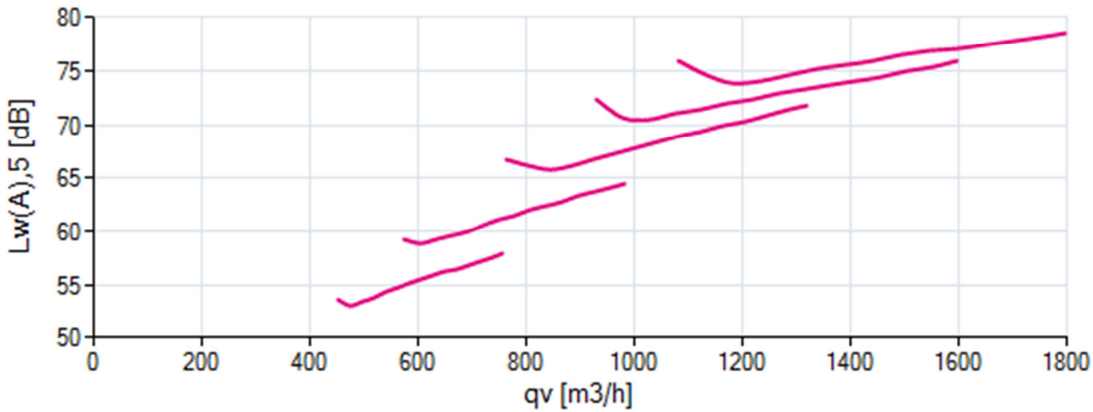
| | |
|-------------------------------|--|
| Article number | 139669 |
| Type | FB025-2ED.WC.A5 |
| Designation | Axial fan with sheet blades |
| Rated values | 1~230V 50Hz P ₁ 140W 0.60A ΔI=0% 2440/min 4.0uF/400V 75°C 1~230V 60Hz P ₁ 180W 0,78A ΔI=0% 2520/min 4,0uF/400V 70°C |
| Electrical connection | Supply cable variable 4x 0,5 mm ² , 45 cm |
| Min. operating temperature °C | -40 |
| Cable quality | SIHF-K |
| Type of protection | --- |
| Thermal class | THCL155 |
| Connection diagram | 1360-177X |
| Rating plate | 1x fixed |
| Fitting position | H/Vu/Vo |
| Motor protection | thermal contact |
| Impregnation | Moisture and hot climate protection |
| Quality of bearings | ball bearing with long-time lubrication |
| Material Rotor | Aluminium |
| Painting rotor | Rotor 1 coat painted |
| colour rotor | RAL 5002 (ultramarine blue) |
| Material blades | Steel |
| Painting impeller | powder coated |
| Colour blades | RAL 9005 (jet black) |
| Guard grille type | ring grill |
| Painting mot.suspens | Motor suspension powder-coated consistency class 2 |
| colour suspension | RAL 9005 (jet black) |
| Weight kg | 2,60 |
| ErP Data | Efficiency η_{statA} : 26,0 % Efficiency: $N_{actual} = 37,8 / N_{target} = 36^*$ *ErP 2013Does not comply with the stipulations of the ErP regulations |

2. Characteristic Curve

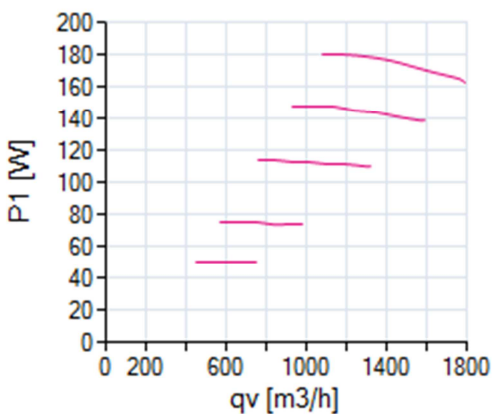
Air performance



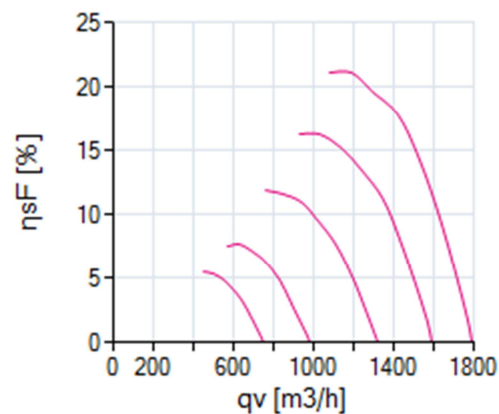
Acoustics



Power input



Efficiency



measured in full bell mouth without guard grille in installation type A according to ISO 5801

Please note: It's not allowed to use this fan in the stall area!*

*In doubt please ask your responsible ZIEHL-ABEGG sales contact.

Article number
139669

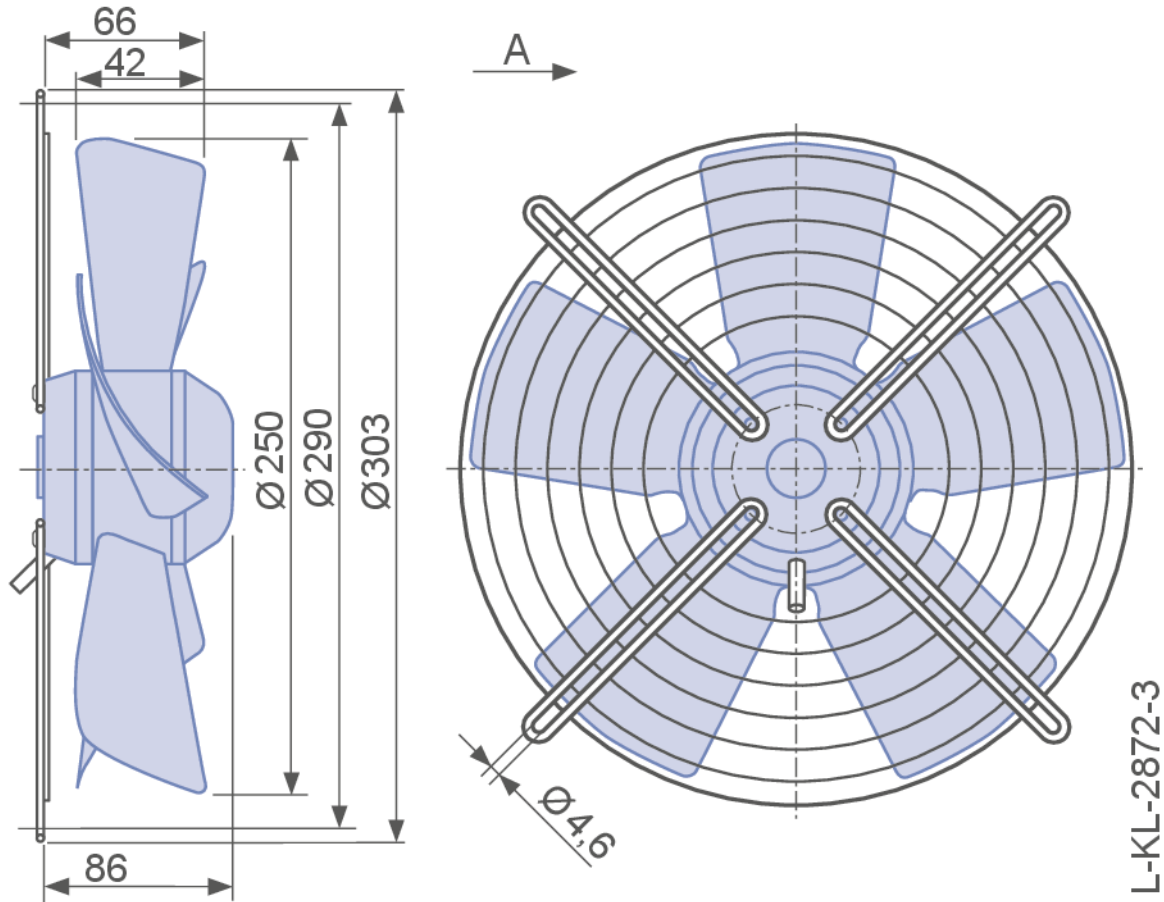
The Royal League

Die Königsklasse

Data of operating point

| | |
|------------------------|--------------|
| frequency (f_{BP}) | 60 |
| mains supply | 1~ 230V 60Hz |
| guard grille | no |

3. Drawing



Dimensions in mm
Shown drawing is just to show the dimensions of the fan.

4. Connection diagram

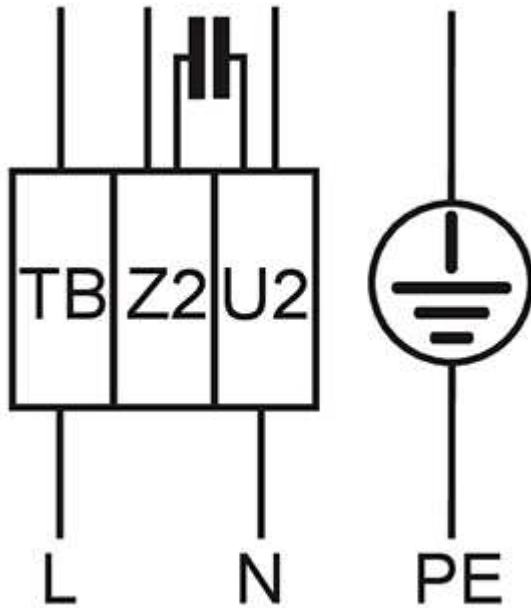
1360-177X

1~ Motor with capacitor and thermostatic switch.

U2 blue or grey

Z2 black

TB brown



5. EU-Declaration of conformity



The Royal League in ventilation, control and drive technology

Intelligent control technology for any application

ZIEHL-ABEGG system capabilities:

Everything from a single source – perfectly matched for optimal performance

Please contact us. We would be pleased to design an individual solution for your requirements.

We would like to welcome you on our worldwide exhibitions. Please find our next exhibitions [here](#).